



## Q213/Q380 4 1/2" Frame Depth Hinged Entry Door

### Q213 / Q380 SERIES HINGED ENTRY DOOR

The Quaker Q213 Series and Q380 Hinged Entry doors are ideal for a variety of applications including - Institutions, Education, Apartments and Assisted Living.

#### FEATURES

- ◇ **Commercial Framing System**
  - 4 1/2' main frame
  - Major portions of door members contain 0.125" wall thickness
  - Q213 Narrow frame design (2 1/8" vertical rails, 2 1/4" top rail, 4" bottom rail)
  - Q380 Medium frame design (3 3/4" vertical rails, 4" top rail, 7 1/2" bottom rail)
  - 1/2" sill
- ◇ **Enhanced Structural Design**
  - Interlocking corner block construction
- ◇ **Glazing**
  - Glazing pocket can accommodate up from 1/4" single glaze to 1" insulating glass
- ◇ **Hardware**
  - Contemporary handle set with a multi-point locking system for supreme protection
  - Minimum of two adjustable hinges with more added if panel size calls for additional support

#### OPTIONS

- ◇ **Available Configurations**
  - Single Panel
  - Dual Panel
  - Matching transoms and sidelites
  - Standard or custom sizing
- ◇ **Muntin Choices**
  - Internal or simulated divided lites available
- ◇ **Hardware**
  - Mid-panel flush panic hardware
  - Rim-mounted Pad panic exit device
  - Electric strikes
  - Pivot, butt or continuous hinges
  - 10" bottom rail for A.D.A modifications
- ◇ **Glazing**
  - Multiple Low-E and argon glazing choices
  - Capillary tubes
  - Wide variety of glazing, tinting and thickness options
- ◇ **Panning & Trim Choices**
  - Wide variety of panning, receptor and trim available

#### BENEFITS

- ◇ The capacity to match exterior colors for unique project facades
- ◇ Get the view that's best for your application with stile widths ranging from Narrow to Medium

#### PERFORMANCE

- ◇ Structural & Thermal (test reports or thermal simulations available upon request)

Our products are tested to the standards of and certified by some of the foremost organizations in the fenestration industry.



# ARCHITECTURAL PAINT COATINGS AND FINISHES

◇ Baked on powder coat finish meets AAMA 2604 (an FGIA specification) and is available in unlimited colors

- Quaker Impressive Palette of Colors



- 7 Resemble Colors (painted finish resembling anodized)



- Unlimited Custom Colors

◇ AAMA 2605 (an FGIA specification) powder coat finishes (not available for all colors shown)

◇ SolarLE Paint Finish (available with Textured Black and Dark Espresso colors only)

◇ AAMA 611-98 Class I (an FGIA specification) clear and tinted anodized finishes

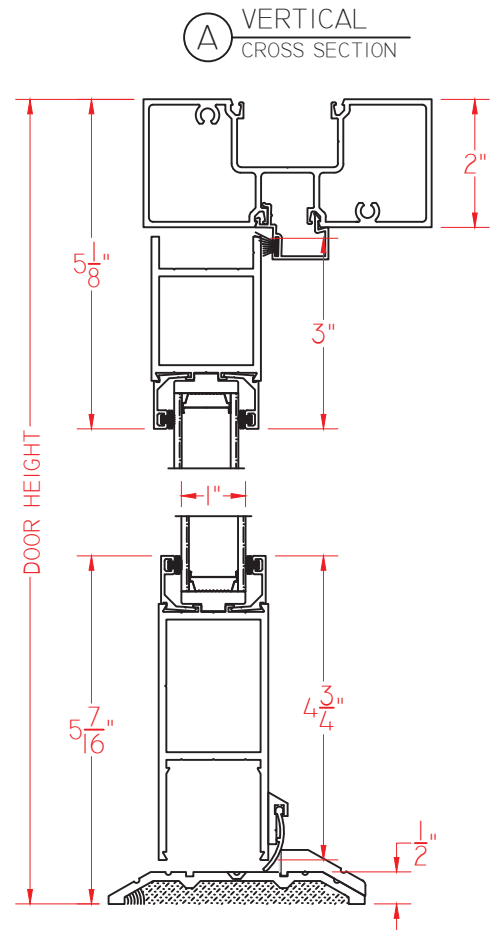
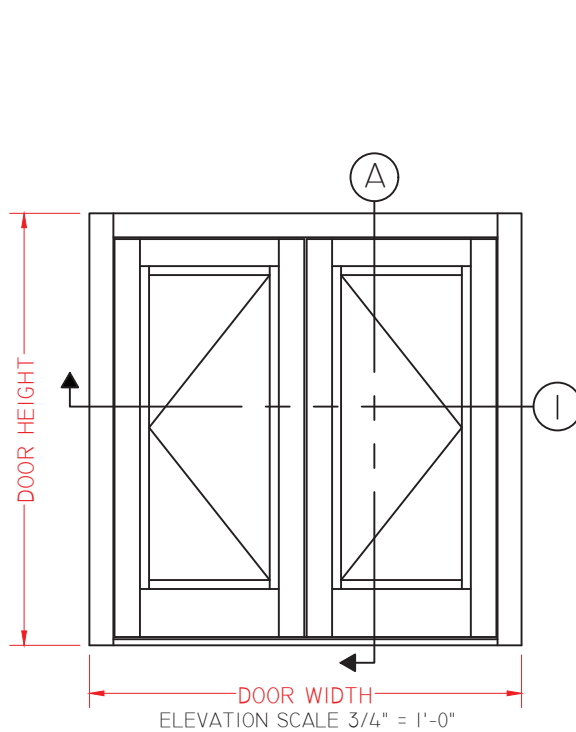
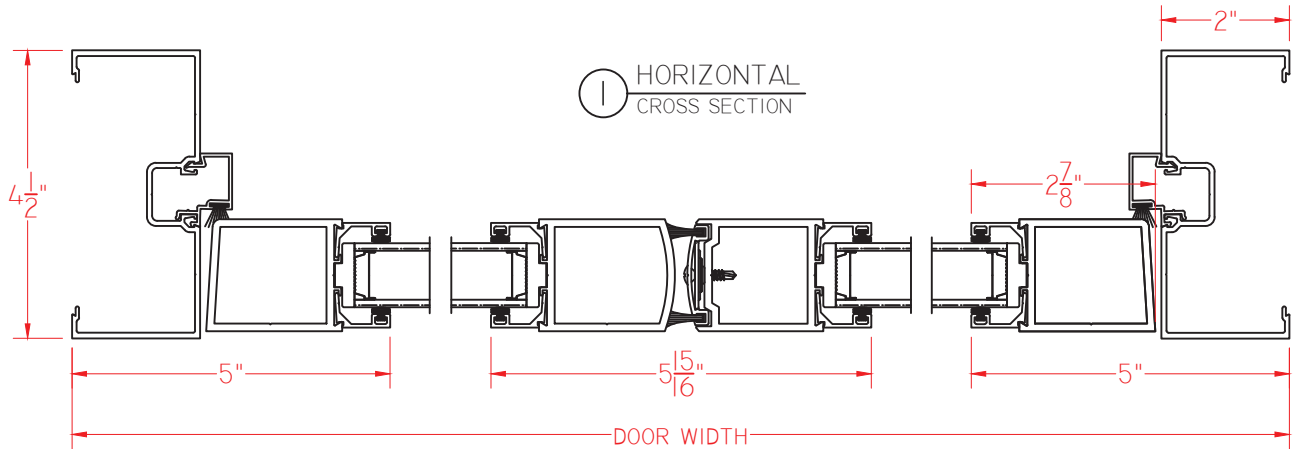
\* Printed colors shown here may not accurately depict actual painted colors. Color samples are available upon request.

Our products are tested to the standards of and certified by some of the foremost organizations in the fenestration industry.



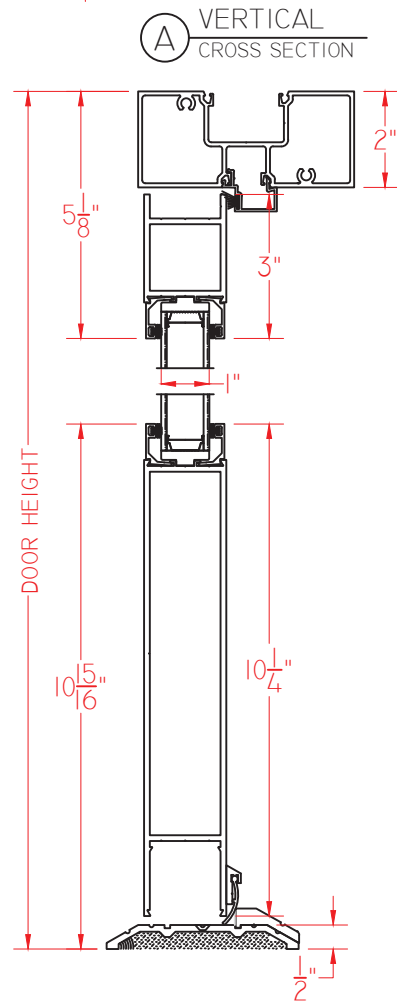
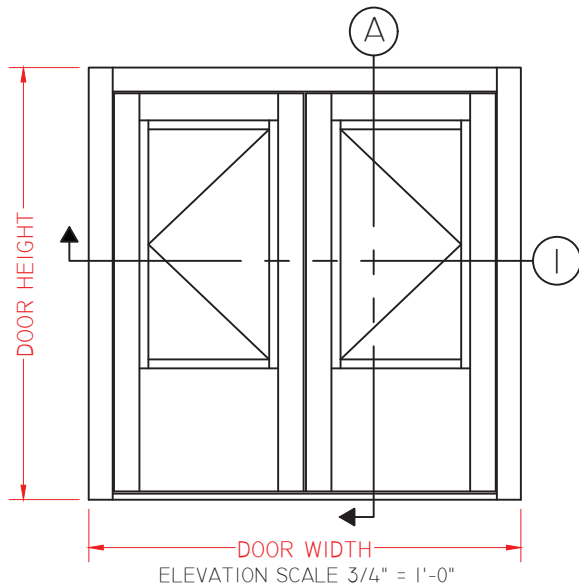
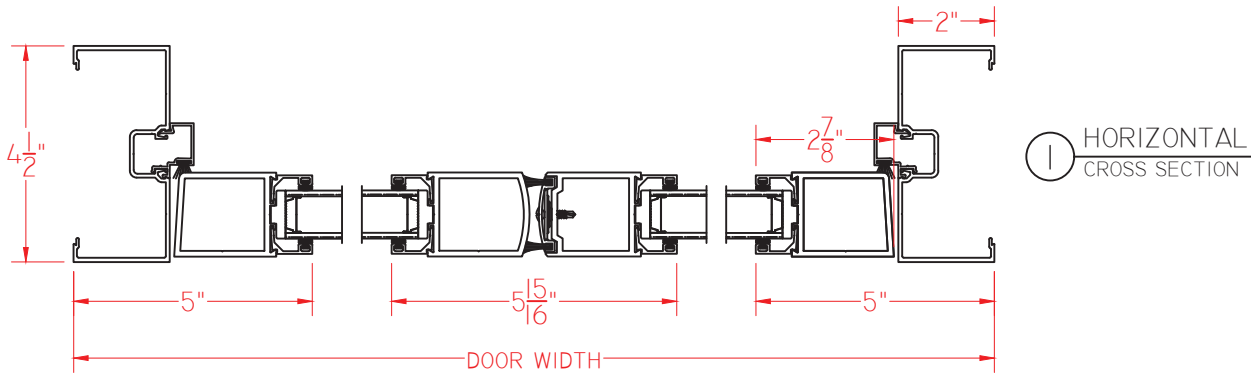


**Q213 HINGED ENTRY DOOR - NARROW**



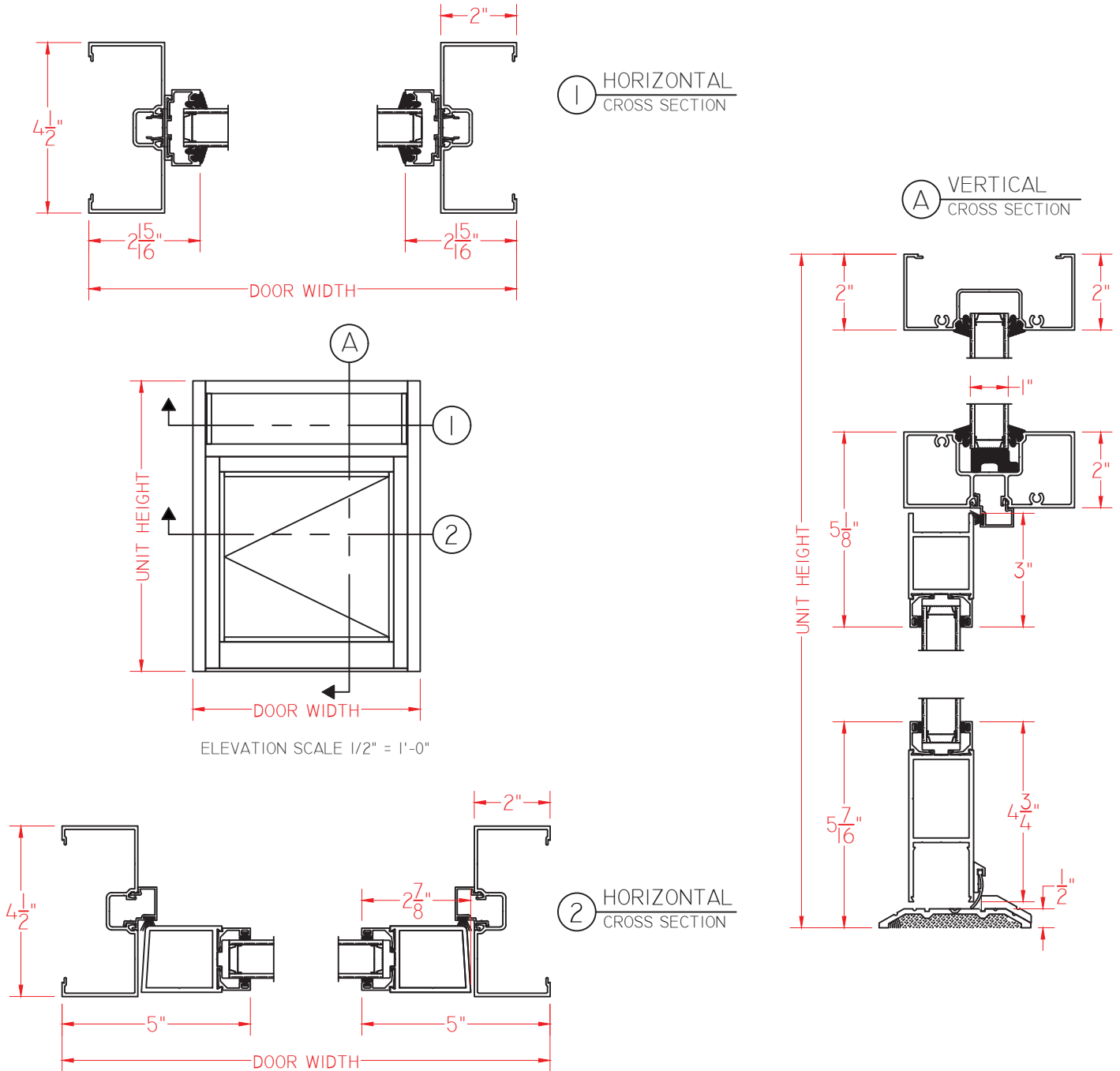


**Q213 HINGED ENTRY DOOR - NARROW (FOR ADA)**





**Q213 HINGED ENTRY DOOR NARROW WITH TRANSOM**

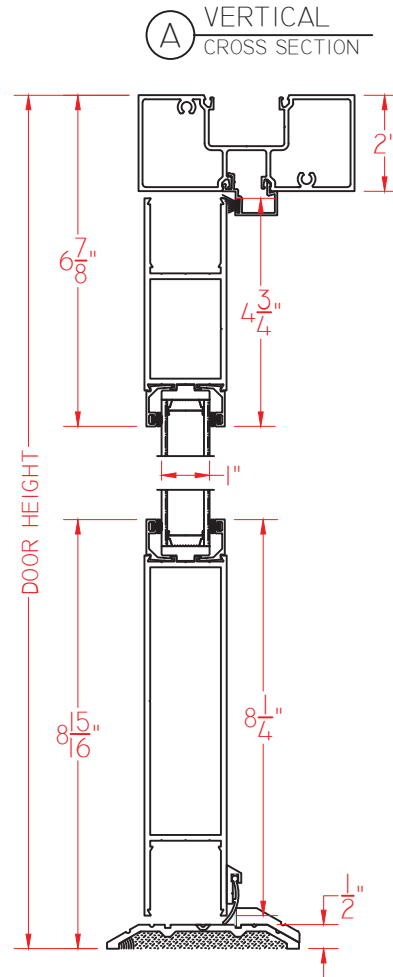
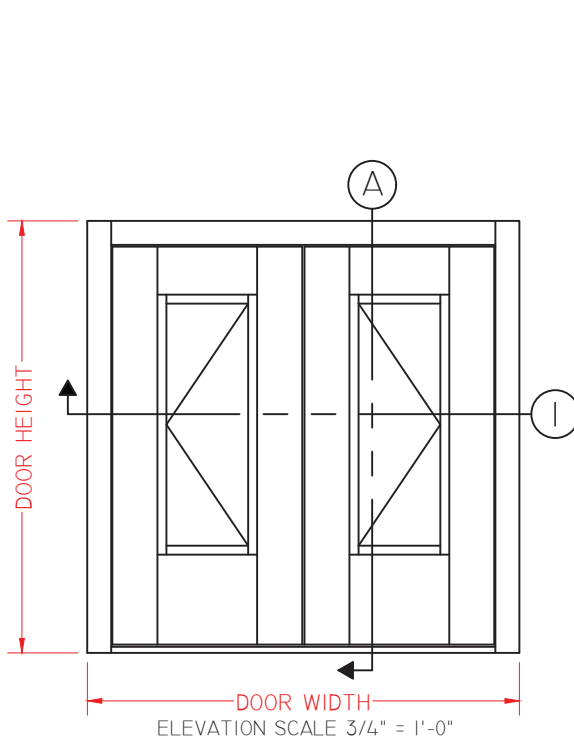
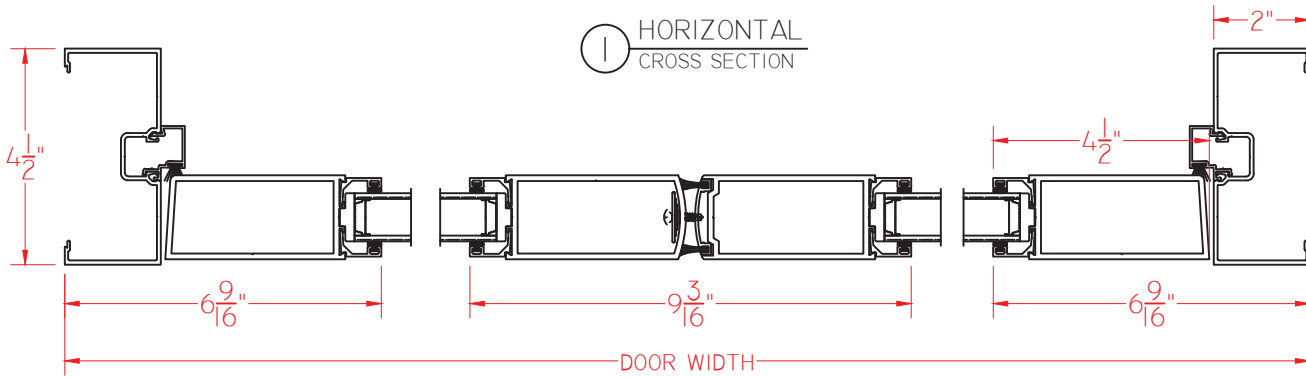


Our products are tested to the standards of and certified by some of the foremost organizations in the fenestration industry.





**Q380 HINGED ENTRY DOOR - MEDIUM**

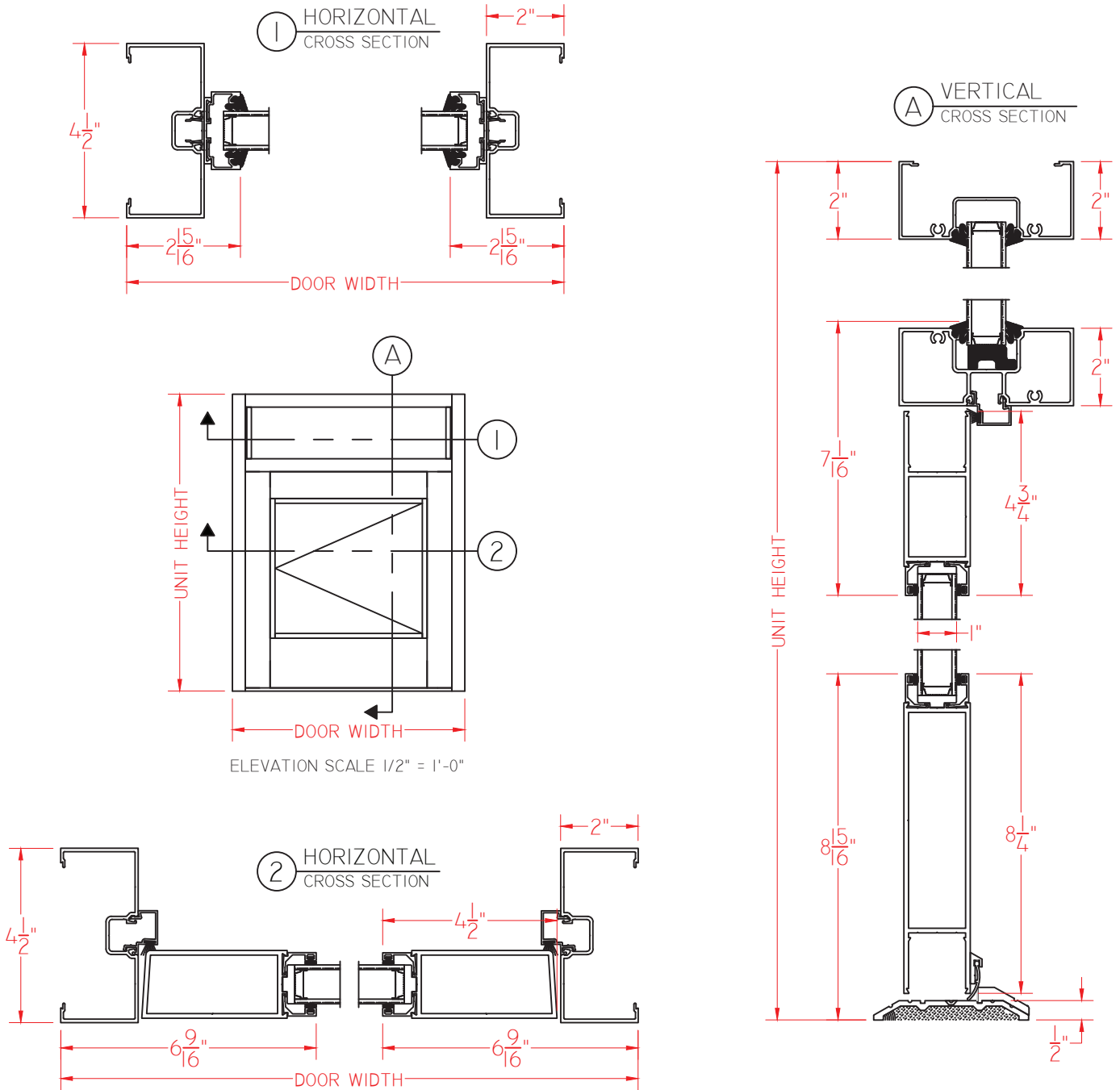


Our products are tested to the standards of and certified by some of the foremost organizations in the fenestration industry.





**Q380 HINGED ENTRY DOOR - MEDIUM WITH TRANSOM**



Our products are tested to the standards of and certified by some of the foremost organizations in the fenestration industry.

